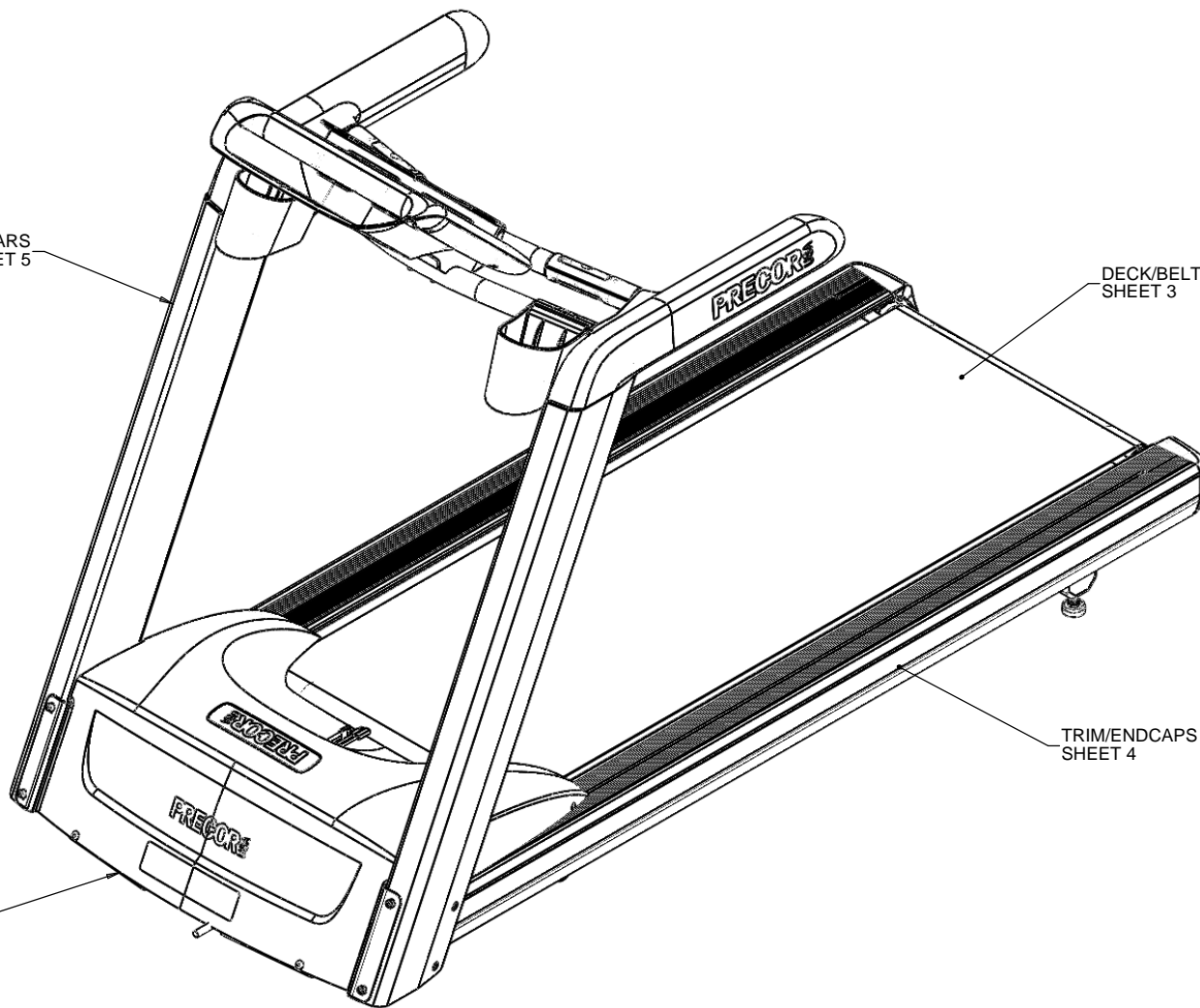


TARGAS/HANDLEBARS  
SHEET 5

DECK/BELT/ROLERS  
SHEET 3

TRIM/ENDCAPS  
SHEET 4

LIFT PLATFORM/ELECTRONICS  
SHEET 2



9.3X-07

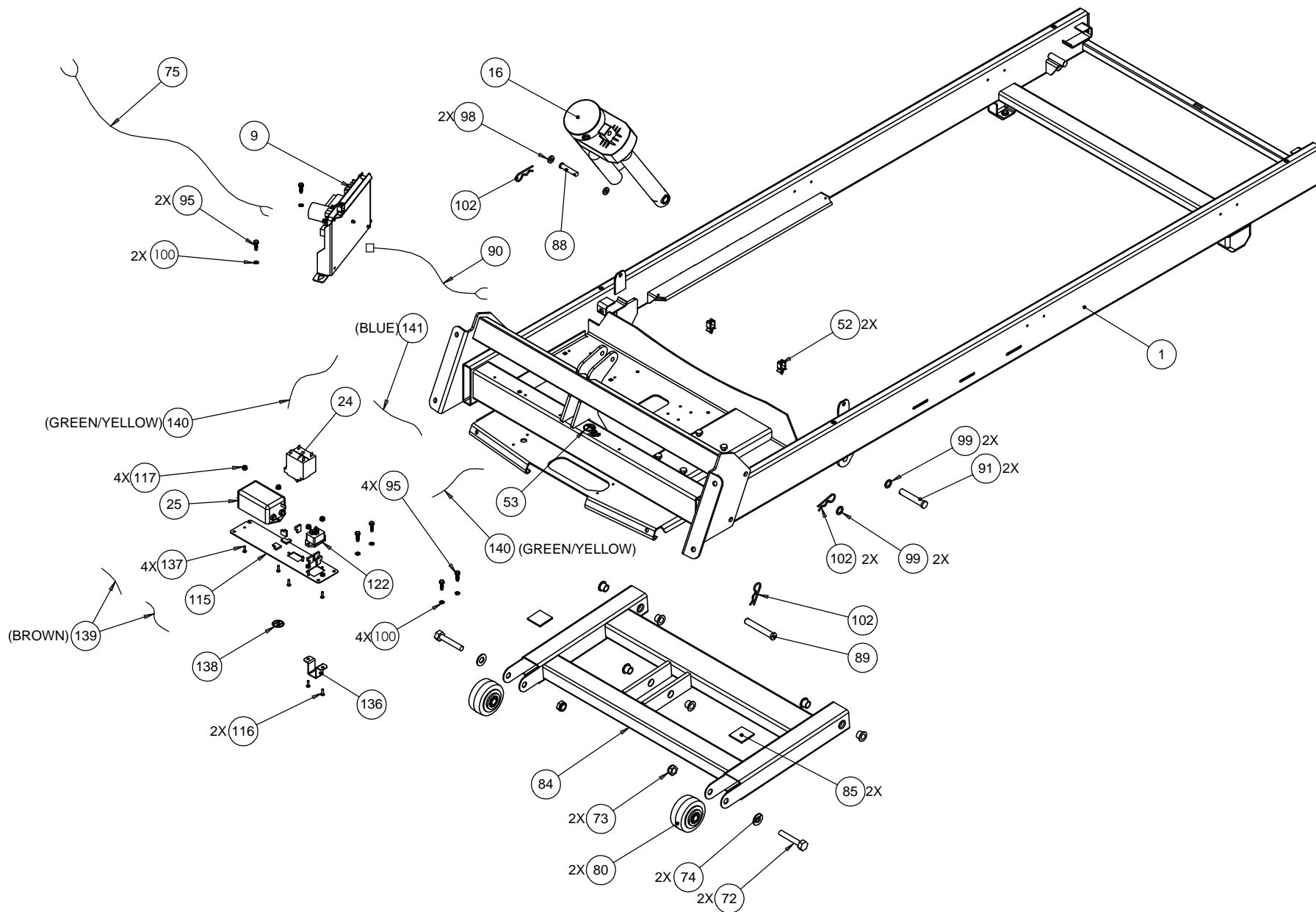
P/N : 49823-101

SUBREV : W

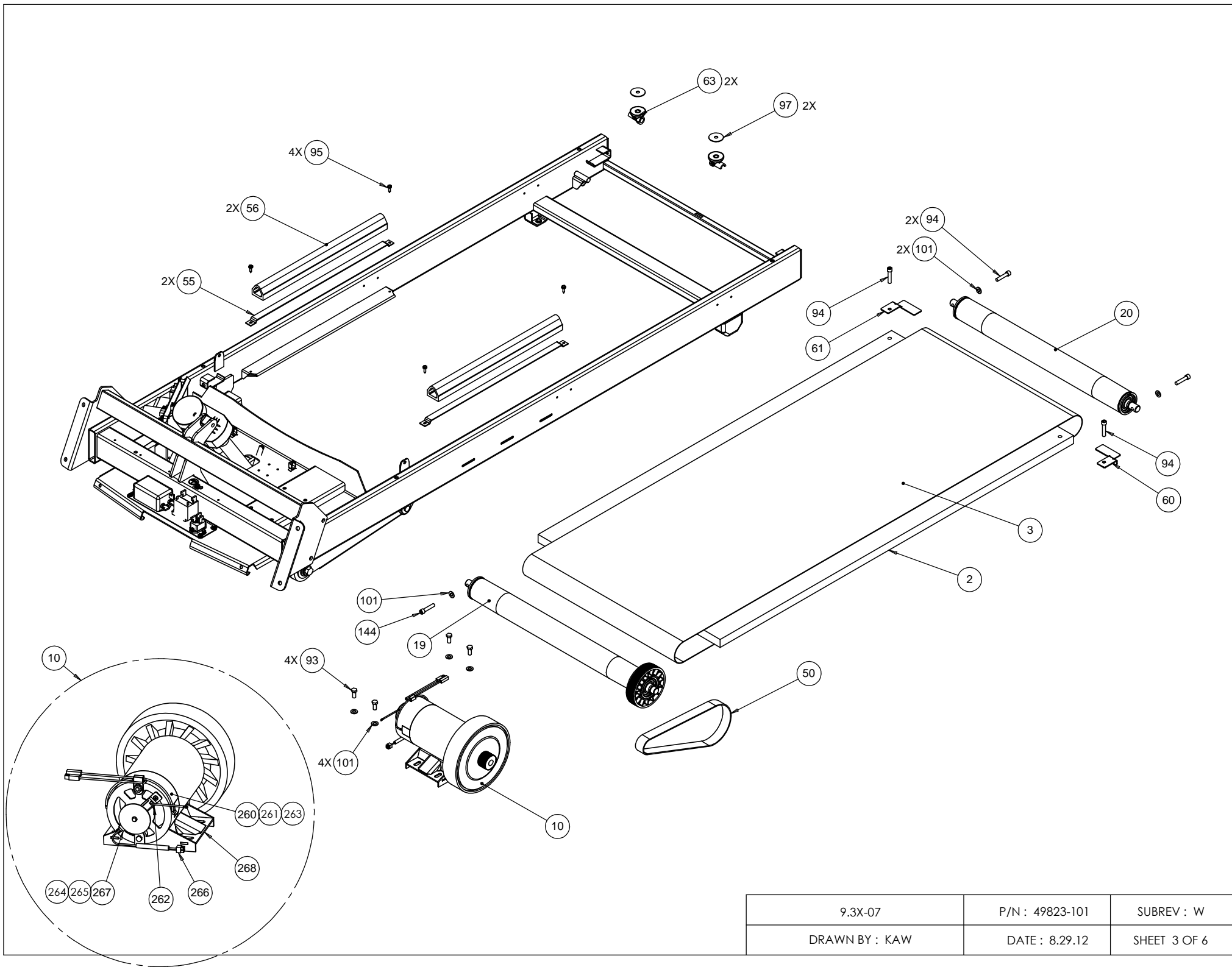
DRAWN BY : KAW

DATE : 8.29.12

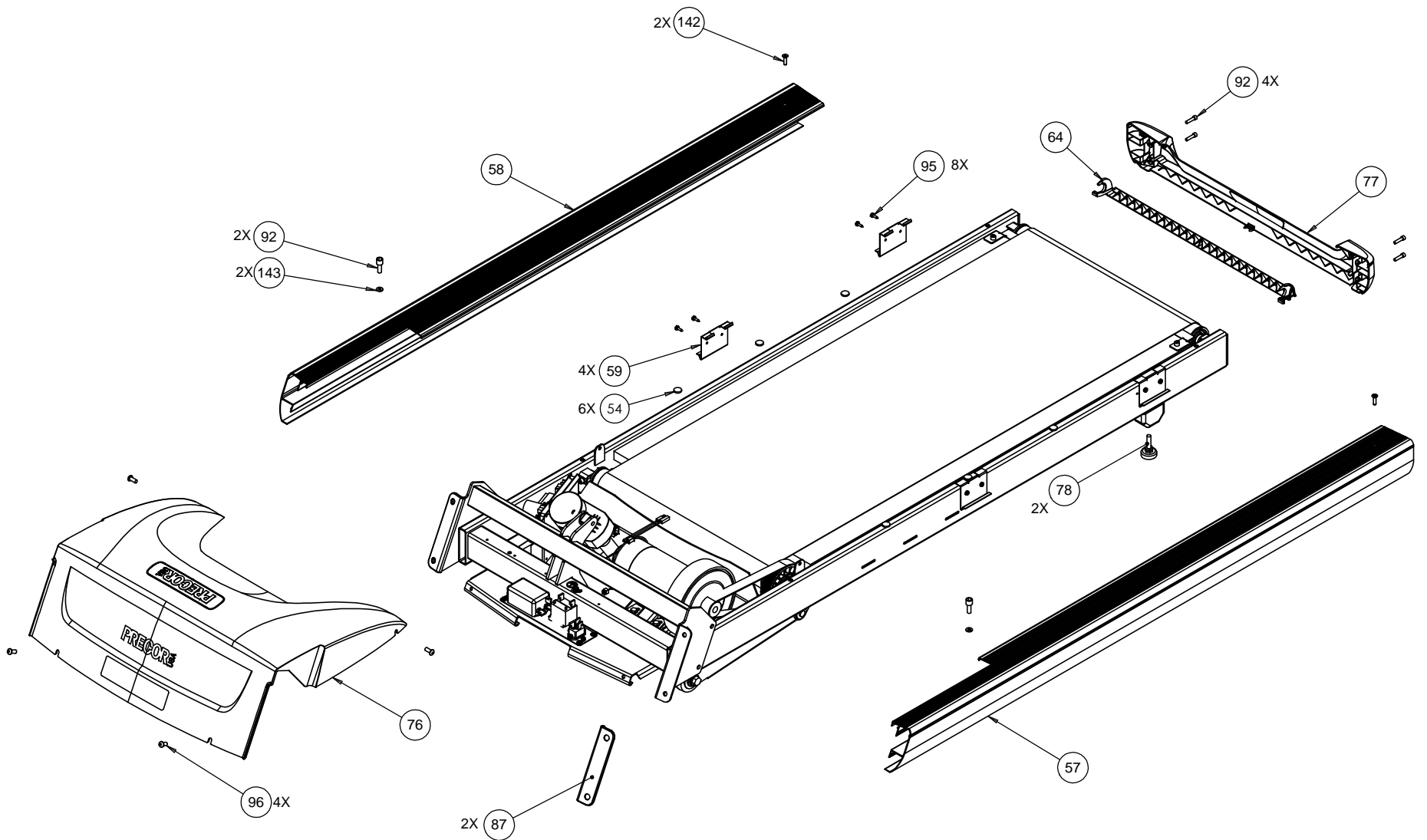
SHEET 1 OF 6



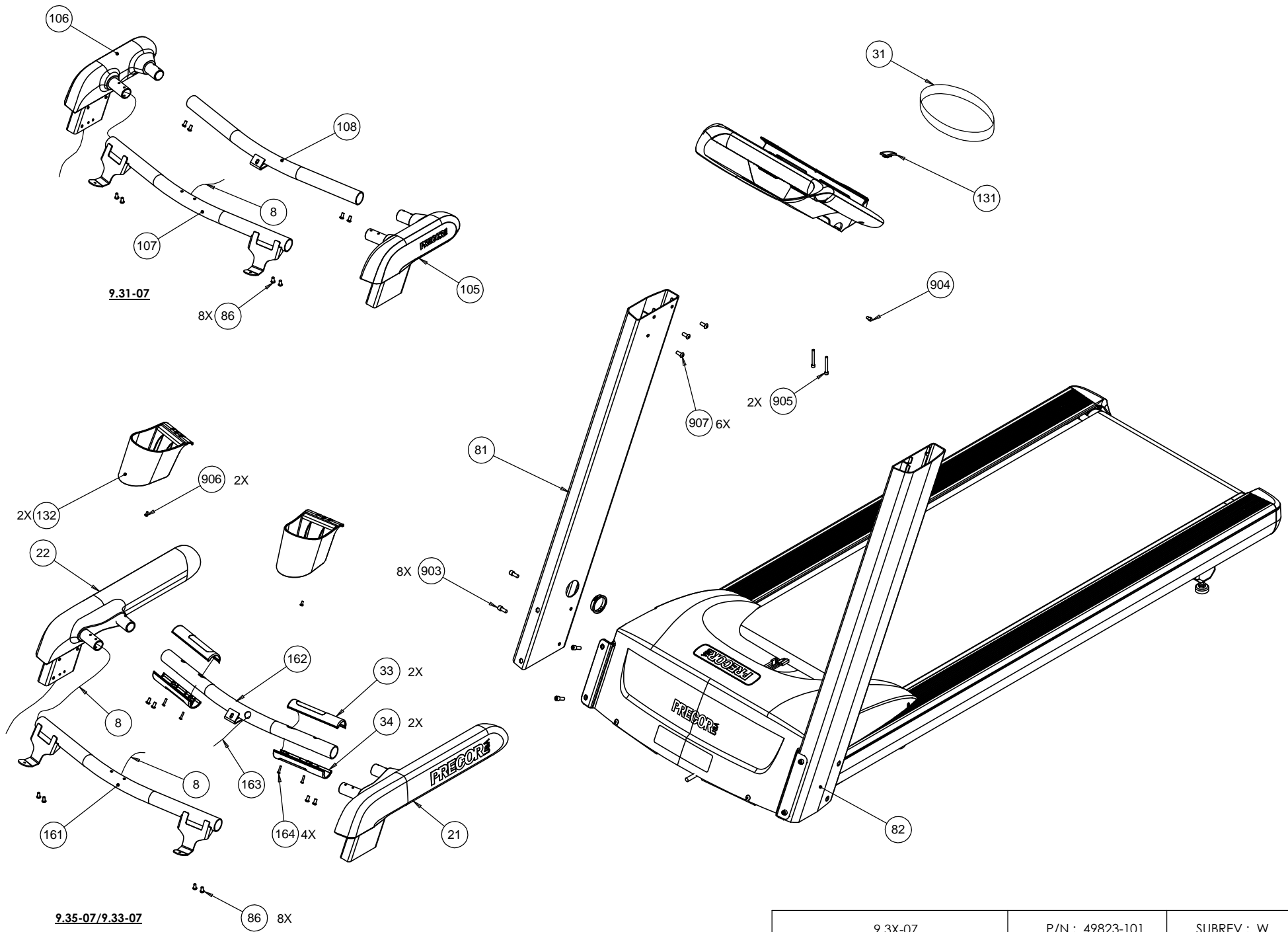
9.3X-07	P/N : 49823-101	SUBREV : W
DRAWN BY : KAW	DATE : 8.29.12	SHEET 2 OF 6



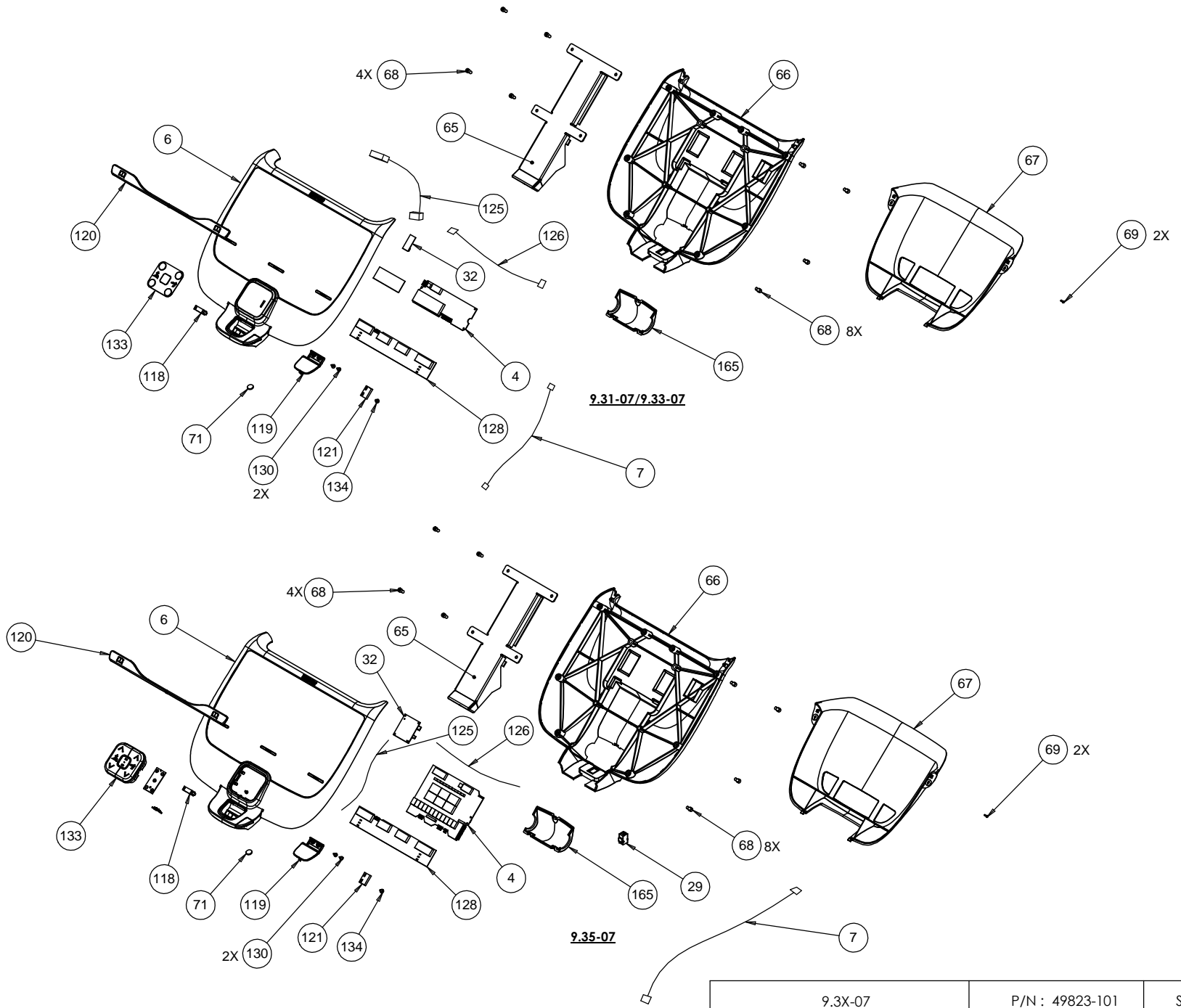
9.3X-07	P/N : 49823-101	SUBREV : W
DRAWN BY : KAW	DATE : 8.29.12	SHEET 3 OF 6



9.3X-07	P/N : 49823-101	SUBREV : W
DRAWN BY : KAW	DATE : 8.29.12	SHEET 4 OF 6



9.3X-07	P/N : 49823-101	SUBREV : W
DRAWN BY : KAW	DATE : 8.29.12	SHEET 5 OF 6



9.3X-07	P/N : 49823-101	SUBREV : W
DRAWN BY : KAW	DATE : 8.29.12	SHEET 6 OF 6

Bubble #	OEM Number	Description
2	PPP000000059120101	DECK WITH SHIPPER, 9.3X-07
3	PPP000000036355130	RUNNING BELT, SIEGLING, 120 X 22, N
6	PPP000000059117101	DISPLAY ASSY, 9.31
7	PPP000000044905018	ASSY,CBL,MOD,8P8C,1-1,SILVER,18 in.
8	PPP000000049809066	ASSY,CBL,MOD,8P8C,1-1,SLEEVED,66 in.
9	PPP000000300745102	ASSEMBLY, LOWER PCA
10	PPP000000059125102	KIT, DRIVE MOTOR W/COVER AND CLAMP
11	PPP000000020113101	SENSOR, TACHOMETER, MCMILLAN
16	PPP000000013537103	LIFT ACTUATOR, 120 VAC
19	PPP000000035673104	ASSEMBLY, ROLLER, FRONT, 9.3X-07
20	PPP000000035677106	ASSEMBLY, ROLLER, REAR, 9.3X-07,POWDE
23	PPP000000046985144	PWR CORD,125VAC,15A,NEMA 5-15RA/IEC
24	PPP000000010435101	CKT BRKR,250V,MAGNETIC,ROCKER,
29	PPP000000011415102	COUPLER,MOD,8P8C,INLINE,SNAP-IN
31	PPP000000038819103	TRANSMITTER, POLAR T34, HEARTRATE,W
32	PPP000000049725101	RECEIVER, WIRELESS, HEART RATE, HIG
50	PPP000000010217144	BELT, DRIVE, POLY V (JASON INDUSTRI
52	PPP000000011278101	CABLE CLAMP,INSERT
53	PPP000000033984101	LABEL, SAFETY, GROUND SYMBOL
54	PPP000000012861101	DISK, FELT, 1/8 THICK X 3/4 OD, ACR
55	PPP000000035671101	STRAP, GFX 9.3X-07
56	PPP000000035672101	SPRING, GFX 9.3X-07
57	PPP000000035686101	TRIM, SIDERAIL, LEFT
58	PPP000000035686102	TRIM, SIDERAIL, RIGHT
59	PPP000000035813101	SUPPORT, SIDERAIL TRIM, STEEL BRACK
60	PPP000000035690101	BRIDGE, ROLLER, LEFT
61	PPP000000035690102	BRIDGE, ROLLER, RIGHT
63	PPP000000035693101	PIVOT, DECK MOUNT, 9.3X-07
64	PPP000000035695102	GUARD, BELT, BLACK
65	PPP000000035694101	WELDMENT, DISPLAY BRACKET 9.3X-07,
66	PPP000000035711101	PANEL, BACK, 9.3X-07 DISPLAY
67	PPP000000035712101	MAGAZINE HOLDER, 9.3X-07 DISPLAY
68	PPP000000CAMN025050	SCREW,SKHD,1/4-20X0.50,ZN (MECH PLA
69	PPP000000PFNN016050	SCREW,S/T,#8 X0.50,PANHD,STAINLESS,
71	PPP000000035800101	DISK, MAGNET STOP
72	PPP000000HCTN050250	SCREW,HEX,GR 5,1/2-13X2-1/2,BLK SHA
73	PPP000000KACN050019	NUT,LOCK,HALF,1/2-13,NYLON INSERT,S
74	PPP000000WBZN050008	WASHER, FLAT,1/2,.086 BLK CVS
75	PPP000000035731018	ASSY,CBL 2COND,14AWG,QK DISC,18 in.
76	PPP000000035737102	ASSEMBLY, HOOD, 9.3X-07
77	PPP000000035738101	ASSEMBLY, ENDCAP, 9.3X-07
78	PPP000000035744101	FOOT, ADJUSTABLE
79	PPP000000010043113	BEARING,FLANGE,OD=.62 ID=.5
80	PPP000000044270101	WHEEL, LIFT
81	PPP000000035804101	ASSEMBLY, TARGA, RIGHT
82	PPP000000035669101	TARGA, LEFT

84	PPP00000059129101	LIFT PLATFORM ASSY, 9.3X-07, C932I,
85	PPP00000035778101	BUMPER, LIFT PLATFORM
86	PPP00000TCNN025050	SCREW,BTHD,1/4-20X1/2,SS
87	PPP00000035750101	COVER, TARGA BRACKET 9.3X-07
88	PPP00000010401106	PIN,CLEVIS, 3/8 X 1.75, ZINC
89	PPP00000045669107	PIN, LIFT PIVOT, 3.34, MUSHROOM HEA
90	PPP00000044532018	ASSY,CBL,2 COND,22 AWG,MOLEX, 18 in.
91	PPP00000045669111	PIN, LIFT PIVOT, MUSHROOM HEAD, .49
92	PPP00000CATN025100	SCREW,SKHD,1/4-20X1,BLK SHARPERIZED
93	PPP00000HCCN031075	SCREW, HEX HD, GRADE 5, 5/16-18 X .
94	PPP00000CATN031150	SCREW,SKHD,5/16-18X1.50,BLK SHRPRZD
95	PPP00000PLCN019075	SCREW,S/T,#10X3/4,WSHRHXHD,ZN, TYPE
96	PPP00000TCNN031075	SCREW,BTHD,5/16-18X.75,SS
98	PPP00000WACNN038009	WASHER, NYLON, .375 I.D.X.75O.D. X
99	PPP00000WACNN050006	WASHER, NYLON, .50 I.D.X.75
100	PPP00000WAMCN019002	WASHER, LOCK, EXT TOOTH, #10
101	PPP00000WBCN031007	WASHER,FLT,5/16X.688X.065, ZN
102	PPP00000010400103	PIN, HITCH, .093 DIA, ZINC, #203
105	PPP00000035763101	HANDLEBAR, LEFT, 9.31-07
106	PPP00000035764101	HANDLEBAR, RIGHT, 9.31-07
107	PPP00000035797101	WELDMENT, CROSS TUBE, DISPLAY SUPPO
108	PPP00000035708102	WELDMENT, CROSSTUBE, HANDLE
116	PPP00000MGCN019050	SCREW, MACHINE, 10-24X1/2, PANHD, P
117	PPP00000KGCN013011	LOCKNUT, STARWASHER 6-32, #6
118	PPP000000012259102	SWITCH,MICRO,PLUNGER,SPNC
119	PPP000000035714101	STOP RELEASE, 9.3X-07 DISPLAY
120	PPP000000035715102	MEDIA RACK, DISPLAY 9.3X-07
121	PPP000000035732010	ASSY,CBL, STOP AND SAFETY SWITCH 10
122	PPP000000045381101	IEC 16/20A POWER CORD INLET
124	PPP000000049800008	ASSY,CABLE, 6C,.1 CTR,1-1,TIN, W/FE
128	PPP000000048947153	ASSY, PCA & SW, DISPLAY-C, METRICS,
130	PPP00000PFNN016050	SCREW,S/T,#8 X0.50,PANHD,STAINLESS,
131	PPP000000035781101	ASSEMBLY, SAFETY STOP, 9.3X-07
132	PPP000000035794101	MULTIHOLDER
133	PPP000000049918101	KEYPAD, SNAP DOME, 5 BUTTON
134	PPP00000PBCN011038	SCREW,S/T,#4X 3/8,PANHD,PHIL,ZN
136	PPP000000048761101	CLAMP, POWER CORD
137	PPP00000MGCN013038	SCREW,MCH,6-32X3/8,PANHD,PHIL,
138	PPP000000037436101	LABEL, CHASIS NEUTRAL
139	PPP000000044528005	ASSY,CBL,1 COND,14AWG,QK DISC,5 in.,BR
140	PPP000000044534006	ASSY,CBL,1COND,14AWG,QK DISC,6 in.
141	PPP000000035730007	ASSY,CBL,1 COND,14AWG,QK DISC, 7 in. ,
142	PPP00000CNNN025100	SCREW, CAP, FLAT HEAD, STAINLESS, H
143	PPP00000WBCN025006	WASHER,FLT,1/4X..500X.063,ZN (MECH
144	PPP00000CATN031200	SCREW,SKHD,5/16-18X2,BLK SHARPERIZE
165	PPP000000035713101	COVER, CROSS BAR, 9.3X-07 DISPLAY
200	PPP000000035782103	KIT, HARDWARE, 9.3X-07



201	PPP00000057051101	9.3X BRACKET REPLACEMENT KIT
260	PPP00000020002114	BRUSH W/ LEAD ASSY, RED, MCMILLAN S
261	PPP00000020002115	BRUSH W/ LEAD ASSY, BLACK, MCMILLAN
262	PPP00000020111101	GROUND BRUSH ASSY, MCMILLAN S3456B3
263	PPP00000020112101	BRUSH COVER, MCMILLAN S3456B3329
265	PPP00000020114101	INTERRUPTER, 10 TOOTH, TACHOMETER,
266	PPP00000020115101	CABLE, TACHOMETER, MCMILLAN
267	PPP00000020116101	BRACKET, TACHOMETER SENSOR, MCMILLA
268	PPP00000020117101	BASE, MOTOR, MCMILLAN
269	PPP00000020118101	GROUND WIRE, 7.5 INCH, MCMILLAN
901	PPP00000010186119	WRENCH, ALLEN, 3/16 X 4.5 in.
902	PPP00000010186122	WRENCH, ALLEN, 1/4 X 3.5 in. X 6.0 in.
903	PPP00000CAMN031075	SCREW,SKHD,5/16-18X0.75,ZN (MECH PL
904	PPP00000CATN025088	SCREW,SKHD,1/4-20X7/8,BLK SHARPERIZ
905	PPP00000CATN025200	SCREW,SKHD,1/4-20X2,BLK SHARPERIZED
906	PPP00000MGCN016038	SCREW,MCH,8-32X3/8,PANHD,PHIL,
907	PPP00000TCNN031075	SCREW,BTHD,5/16-18X.75,SS
908	PPP00000WALCN031008	WASHER, 5/16 SPLIT LOCK, ZINC
999	PPP00000049781107	LITERATURE KIT, 9.33-07/9.31-07